

P-PAB-PSA Series

Peripheral pumps capable of developing high heads using lowpowered motors.

Some models are available in the PB versions (bronze body for sea water), PK versions (compatible with hot water up to 80°C) and PBK versions (pump body in bronze compatible with hot water up to 80°C).

Specifications

Delivery: up to 3.72 m³/h

Head: up to 82 m

Power supply: three-phase and single-phase 50 and 60 Hz

Power: 0.3 kW to 1.1 kW

Maximum operating pressure: 8 bar (10 bar for the PSA series)

Temperature of pumped liquid:

-10°C to +40°C (P series)

-10°C to +80°C (PSA-PAB-PABLB series)

Maximum ambient temperature: 40°C

Insulation class: F

Protection: IP44 (models P16, P21, PAB, PABLB)

IP55 (models P30, P40, P60, P70 e PSA)

Materials

Pump body: Cast iron (P-PSA series)

Bronze (PB-PAB-PABLB series)

Adapter: Cast iron (P-PSA series)

Bronze (PB-PAB-PABLB series)

Impeller: Bronze

Mechanical seal: Ceramic/Carbon/NBR

Fill plugs: Brass

Elastomers: NBR

Applications

Water distribution

Washing

Boiler

Hot water systems

Pressure boosting

Irrigation

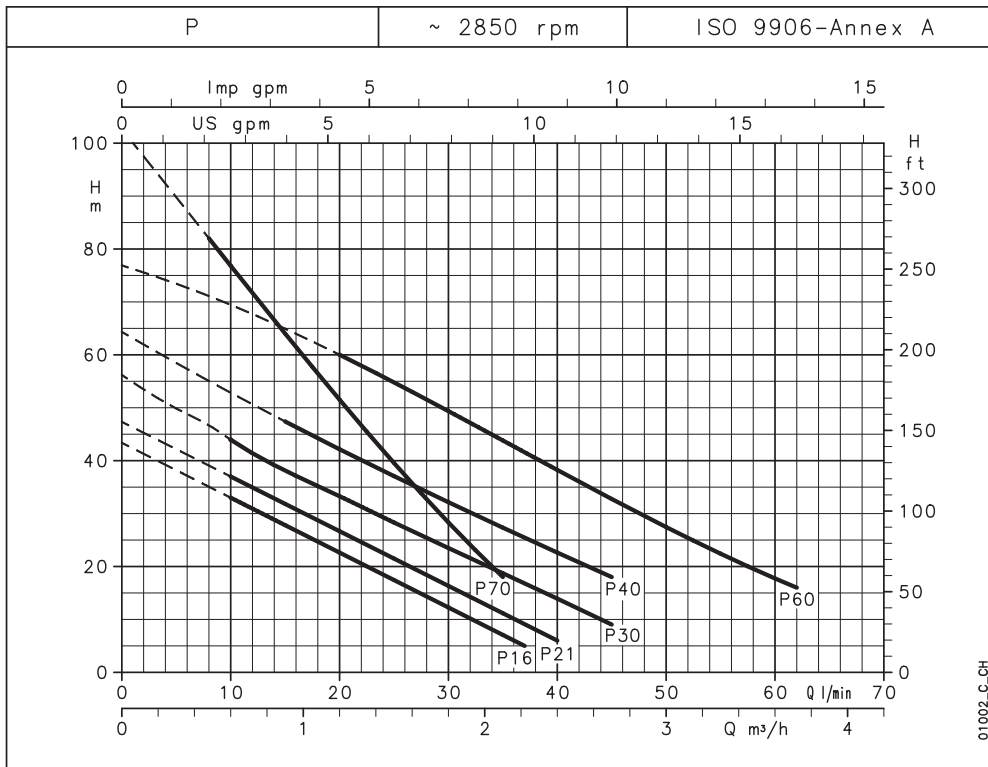
Cooling and chilling



For a complete list of technical information, consult www.lowara.com

P SERIES

Operating characteristics at 50 Hz



Hydraulic performance table

| PUMP TYPE | RATED POWER | | Q = DELIVERY | | | | | | | | | | |
|---|-------------|-----|--------------|------|------|------|------|------|------|------|------|------|------|
| | | | l/min | 0 | 8 | 10 | 15 | 20 | 35 | 37 | 40 | 45 | 62 |
| | kW | HP | m³/h | 0 | 0,48 | 0,60 | 0,90 | 1,20 | 2,10 | 2,22 | 2,40 | 2,70 | 3,72 |
| H = TOTAL HEAD IN COLUMN OF WATER (METRES) | | | | | | | | | | | | | |
| P(M)16 | 0,3 | 0,4 | 43,4 | | | 33,0 | 27,8 | 22,6 | 7,1 | 5,0 | | | |
| P(M)21 | 0,37 | 0,5 | 47,4 | | | 37,0 | 31,8 | 26,7 | 11,2 | 9,1 | 6,0 | | |
| P(M)30 | 0,5 | 0,7 | 56,2 | | | 44,0 | 38,5 | 33,3 | 18,7 | 16,8 | 13,9 | 9,0 | |
| P(M)40 | 0,6 | 0,8 | 64,3 | | | | 47,4 | 42,2 | 27,3 | 25,4 | 22,6 | 18,0 | |
| P(M)60 | 1,1 | 1,5 | 76,9 | | | | | 60,0 | 43,8 | 41,6 | 38,2 | 32,8 | 16,0 |
| P(M)70 | 0,75 | 1 | 102,6 | 82,0 | 76,8 | 64,0 | 51,5 | 18,0 | | | | | |

These performances are valid for liquids with density $\rho = 1.0 \text{ kg/dm}^3$ and kinematic viscosity $\nu = 1 \text{ mm}^2/\text{s}$.

p-2p50_b_th

Electrical data

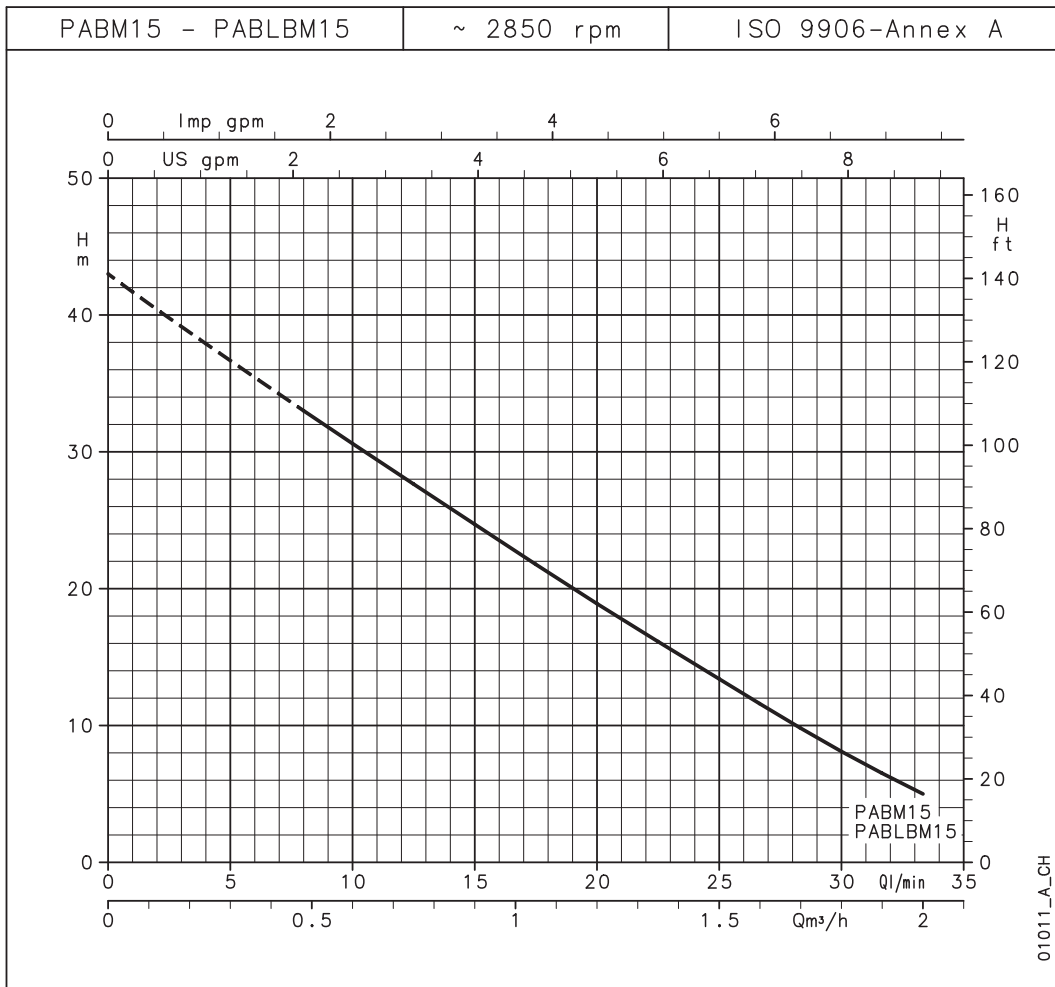
| PUMP TYPE | MOTOR TYPE | INPUT POWER* | INPUT CURRENT* 220-240 V | CAPACITOR $\mu\text{F} / 450 \text{ V}$ | PUMP TYPE | MOTOR TYPE | INPUT POWER* | INPUT CURRENT* 220-240 V | INPUT CURRENT* 380-415 V |
|-----------|------------|--------------|-----------------------------|--|-----------|--------------|--------------|-----------------------------|-----------------------------|
| 1 ~ | | kW | A | | 3 ~ | | kW | A | A |
| PM16 | 30M712 | 0,50 | 2,2 | 10 | P16 | 30T712 | 0,48 | 1,55 | 0,9 |
| PM21 | 37M712 | 0,58 | 2,7 | 14 | P21 | 37T712 | 0,55 | 1,9 | 1,1 |
| PM30 | SM71PA/105 | 0,83 | 4 | 16 | P30 | SM71PA/305 | 0,72 | 2,6 | 1,5 |
| PM40 | SM71PA/107 | 1,08 | 4,82 | 20 | P40 | SM80PA/307HE | 1,00 | 3,15 | 1,82 |
| PM60 | SM80PA/111 | 1,77 | 7,95 | 30 | P60 | SM80PA/311HE | 1,68 | 4,95 | 2,86 |
| PM70 | SM71PA/109 | 1,32 | 5,89 | 25 | P70 | SM80PA/311HE | 1,24 | 3,86 | 2,23 |

*Maximum value in specified range.

p-2p50-en_c_te

PAB SERIES

Operating characteristics at 50 Hz



Hydraulic performance table

| PUMP TYPE | RATED POWER | | Q = DELIVERY | | | | | | | |
|-----------|-------------|-----|--|------|------|------|------|------|------|------|
| | | | l/min | 8 | 10 | 15 | 20 | 25 | 30 | 33 |
| | | | 0 | 0,48 | 0,60 | 0,90 | 1,20 | 1,50 | 1,80 | 1,98 |
| | | | m ³ /h | | | | | | | |
| | | | H = TOTAL HEAD IN COLUMN OF WATER (METRES) | | | | | | | |
| PABM15 | 0,37 | 0,5 | 43,0 | 33,0 | 30,6 | 24,7 | 18,9 | 13,4 | 8,1 | 5,0 |
| PABLBM15 | 0,37 | 0,5 | 43,0 | 33,0 | 30,6 | 24,7 | 18,9 | 13,4 | 8,1 | 5,0 |

These performances are valid for liquids with density $\rho = 1.0 \text{ kg/dm}^3$ and kinematic viscosity $\nu = 1 \text{ mm}^2/\text{s}$.

pab-2p50_a_th

Electrical data

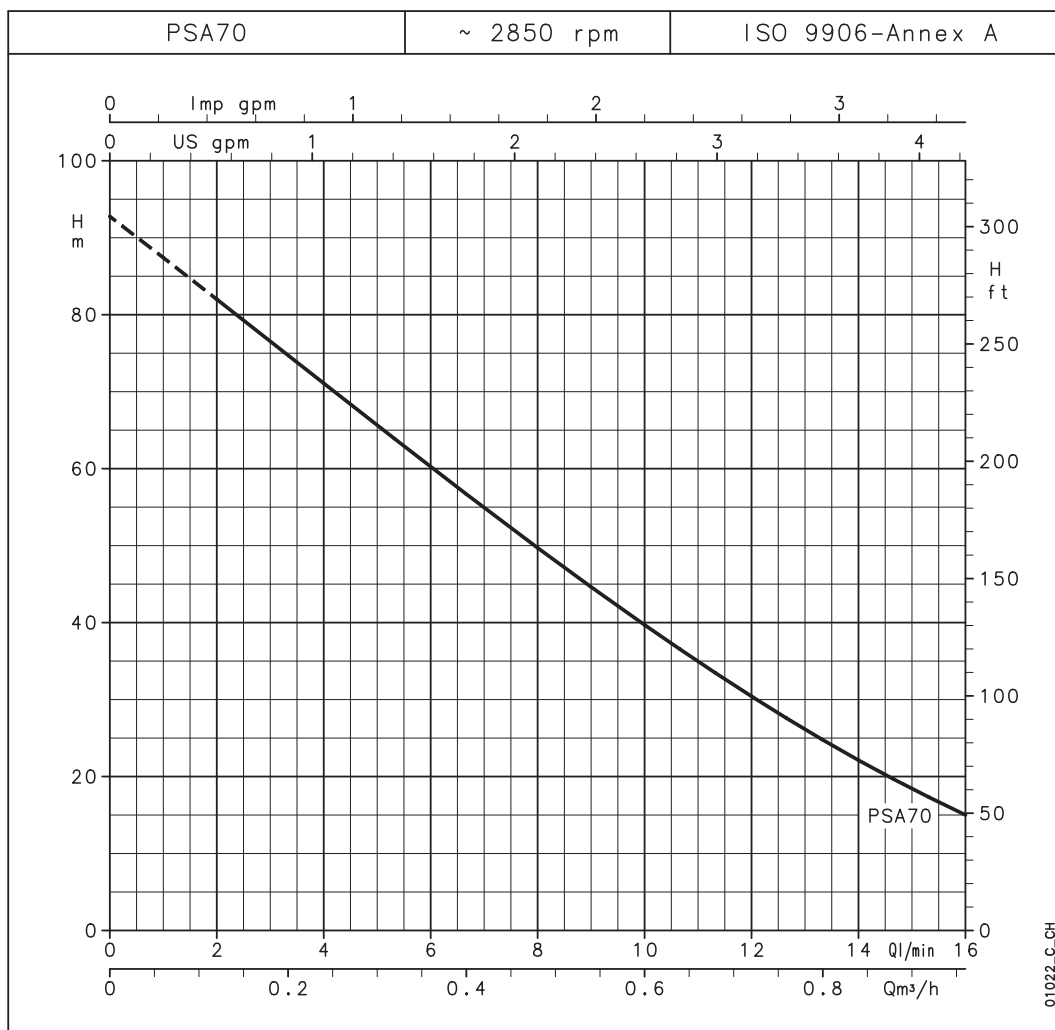
| PUMP TYPE | INPUT POWER* | | CAPACITOR | PUMP TYPE | INPUT POWER* | | INPUT CURRENT* |
|-----------|--------------|-----|-----------|-----------|--------------|---|----------------|
| | SINGLE-PHASE | | | | THREE-PHASE | | |
| | | | | | | | |
| | | | | | | | |
| PABM15 | 0,47 | 2,1 | 10 | - | - | - | - |
| PABLBM15 | 0,47 | 2,1 | 10 | - | - | - | - |

*Maximum value in specified value

pab-2p50_a_te

PSA70 SERIES

Operating characteristics at 50 Hz



Hydraulic performance table

| PUMP TYPE | RATED POWER | | Q = DELIVERY | | | | | | | |
|-----------|-------------|-----|--|------|------|------|------|------|------|------|
| | | | l/min | 2 | 4 | 8 | 10 | 12 | 14 | 16 |
| | | | 0 | 0,12 | 0,24 | 0,48 | 0,6 | 0,72 | 0,84 | 0,96 |
| | | | m ³ /h | | | | | | | |
| | | | H = TOTAL HEAD IN COLUMN OF WATER (METRES) | | | | | | | |
| PSA(M)70 | 0,37 | 0,5 | 92,8 | 82,0 | 71,1 | 49,7 | 39,7 | 30,4 | 22,1 | 15,0 |

These performances are valid for liquids with density $\rho = 1.0 \text{ kg/dm}^3$ and kinematic viscosity $\nu = 1 \text{ mm}^2/\text{s}$.

psa-2p50_a_th

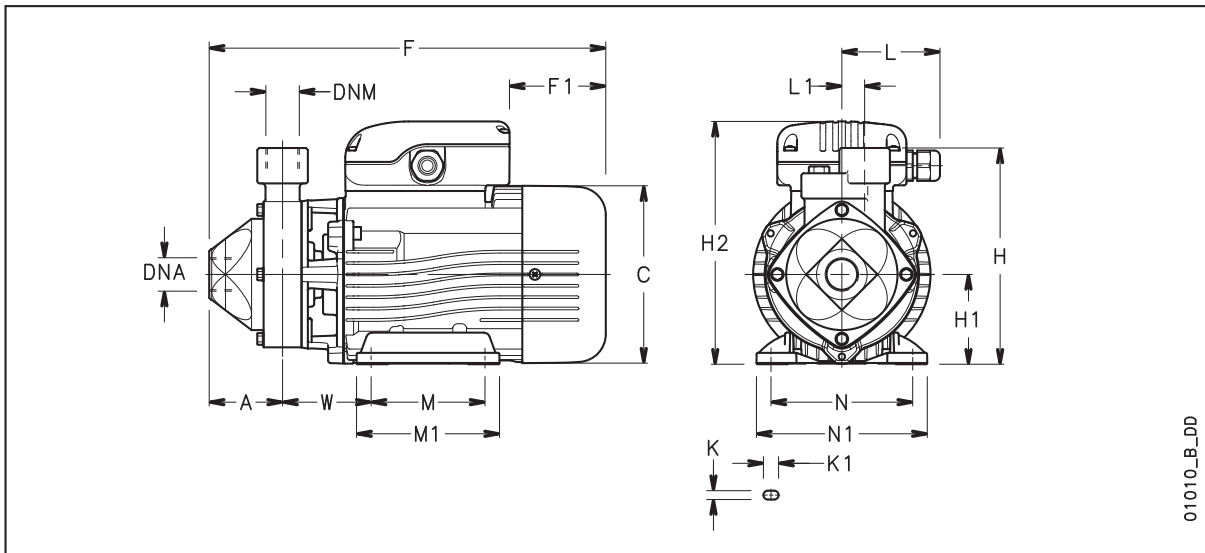
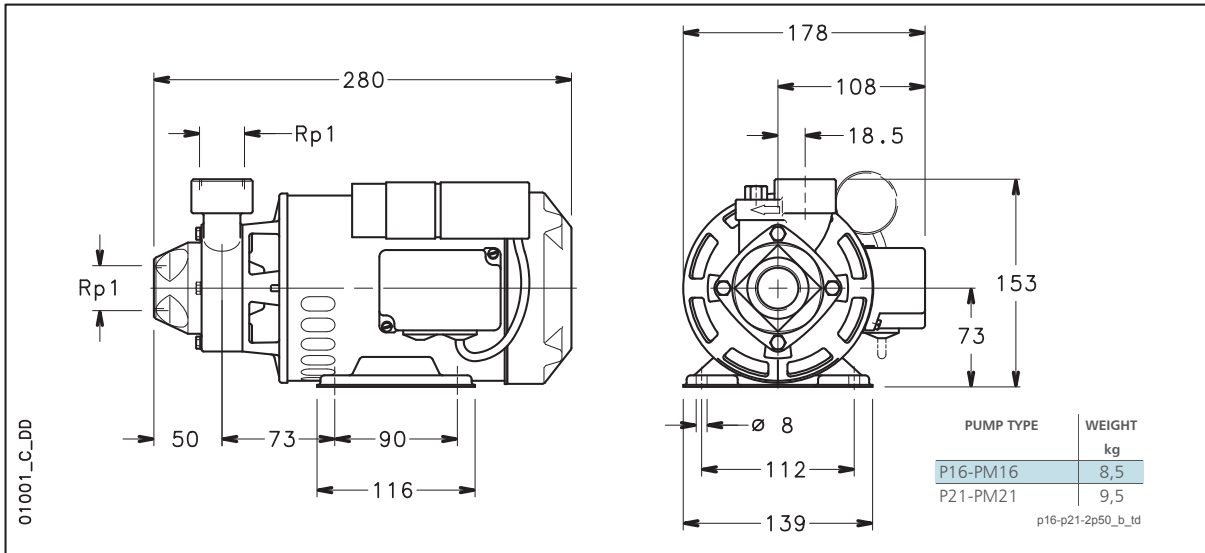
Electrical data

| PUMP TYPE | INPUT POWER* | INPUT CURRENT* | CAPACITOR | PUMP TYPE | INPUT POWER* | INPUT CURRENT* | INPUT CURRENT* |
|--------------|--------------|----------------|-------------------------------|-------------|--------------|----------------|----------------|
| SINGLE-PHASE | | 220-240 V | | THREE-PHASE | | 220-240 V | 380-415 V |
| | kW | A | $\mu\text{F} / 450 \text{ V}$ | | kW | A | A |
| PSAM70 | 0,75 | 3,41 | 16 | PSA70 | 0,76 | 2,75 | 1,59 |

*Maximum value in specified range

psa-2p50_a_te

1 P SERIES Dimensions and weights



| PUMP TYPE | DIMENSIONS (mm) | | | | | | | | | | | | | | | | DNA DNM | WEIGHT kg |
|--------------|-----------------|-----|-----|-----|-----|----|-----|----|----|-----|-----|-----|-----|---|----|------|------------|--------------|
| | A | C | F | F1 | H | H1 | H2 | L | L1 | M | M1 | N | N1 | K | K1 | W | | |
| PM30 | 55 | 140 | 311 | 76 | 161 | 71 | 192 | 78 | 20 | 90 | 113 | 112 | 135 | 7 | 12 | 70,5 | Rp 1 | 9,7 |
| PM40 | 55 | 140 | 311 | 76 | 161 | 71 | 192 | 78 | 20 | 90 | 113 | 112 | 135 | 7 | 12 | 71 | Rp 1 | 10,2 |
| PM60 | 58 | 155 | 354 | 68 | 180 | 80 | 217 | 81 | 20 | 100 | 124 | 125 | 153 | 9 | 12 | 83 | Rp 1 | 15,5 |
| PM70 | 58 | 140 | 314 | 76 | 171 | 71 | 192 | 78 | 18 | 90 | 113 | 112 | 135 | 7 | 12 | 70 | Rp 3/4 | 11,5 |
| P30 | 55 | 140 | 311 | 76 | 161 | 71 | 192 | 78 | 20 | 90 | 113 | 112 | 135 | 7 | 12 | 70,5 | Rp 1 | 9,7 |
| P40 | 55 | 155 | 350 | 113 | 170 | 80 | 209 | 78 | 20 | 100 | 124 | 125 | 153 | 9 | 12 | 83 | Rp 1 | 13,5 |
| P60 | 58 | 155 | 354 | 113 | 180 | 80 | 209 | 78 | 20 | 100 | 124 | 125 | 153 | 9 | 12 | 83 | Rp 1 | 17 |
| P70 | 58 | 155 | 353 | 113 | 180 | 80 | 209 | 78 | 18 | 100 | 124 | 125 | 153 | 9 | 12 | 82 | Rp 3/4 | 14,8 |

p30-70-2p50-en_c_td

PAB-PSA70 SERIES

Dimensions and weights

